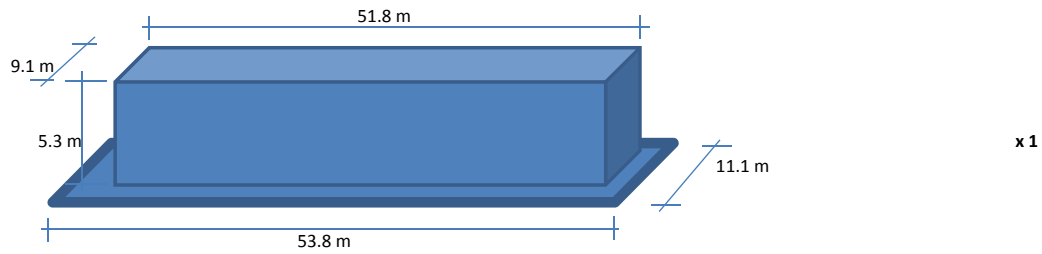


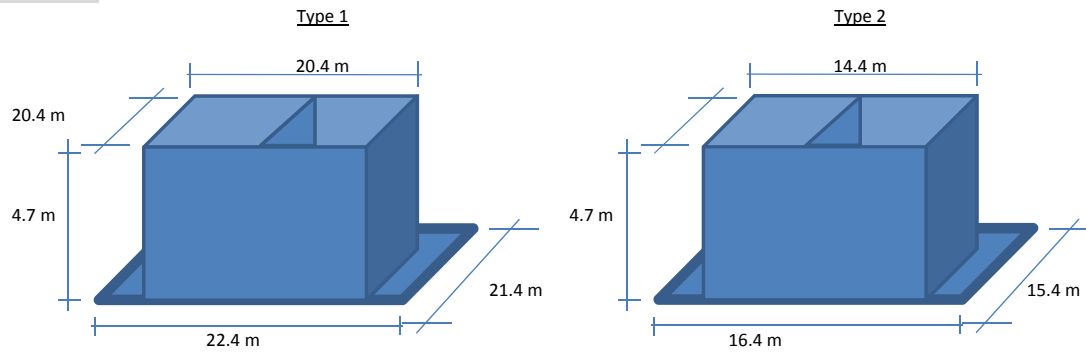
Caution : All the dimensions are interior

PRIMARY CLARIFIER



	Walls	Slab	
Thickness	0.45	0.6	(m)

Coagulation - flocculation



	Walls	Slab	
Thickness	0.45	0.6	(m)

